

# EKK.

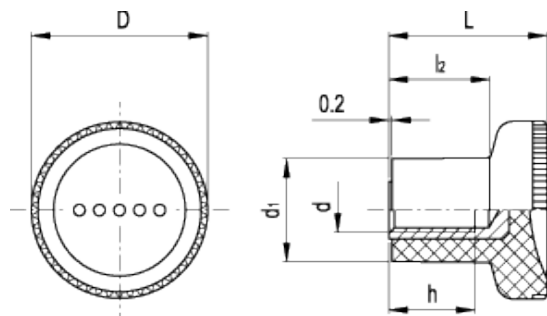
Knurled knobs



ELESA Original design



ERGOSTYLE®



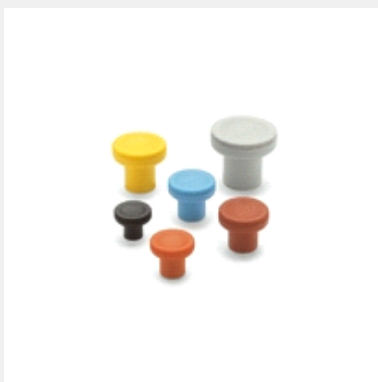
## technical informations

### Material

Glass-fibre reinforced polyamide based (PA) technopolymer. Resistant to solvents, oils, greases and other chemical agents.

### Colour

Available in Ergostyle colours, matte finish.



### Assembly

Brass boss, tapped blind hole.

## Ergonomy and design

When it is used as a push-pull button, the thumb rests naturally on the concave front surface improving the grip. The slight knurling on the rim of the knob makes tightening or clamping operations easier.

**C1 RAL 7021** **C2 RAL 2004** **C3 RAL 7035** **C4 RAL 1021** **C5 RAL 5024** **C6 RAL 3000**

Standard Elements		Main dimensions				Mounting hole		Weight
Code	Description	D	L	d <sub>1</sub>	l <sub>2</sub>	d <sub>6H</sub>	h	g
242081-*	EKK.16 B-M3-*	16	13	8.5	8.5	M3	6	7
242091-*	EKK.18 B-M4-*	18	15.5	10.5	10.5	M4	6	6
242111-*	EKK.21 B-M4-*	21	18	12.5	10.5	M4	10	8
242121-*	EKK.21 B-M5-*	21	18	12.5	10.5	M5	10	7
242211-*	EKK.25 B-M6-*	25	22.5	14.5	14	M6	12	11
242221-*	EKK.25 B-M8-*	25	22.5	14.5	14	M8	12	10
242311-*	EKK.31 B-M8-*	31	27	18.5	17	M8	15	20
242321-*	EKK.31 B-M10-*	31	27	18.5	17	M10	17	19

\* Complete the code and the description of the standard item needed by adding the index of the colour of the knurled knob (C1,.....,C6) ex: 242081-C2 EKK.16 B-M3-C2

This product had the following design awards:



ELESA and GANTER models all rights reserved in accordance with the law. Always mention the source when reproducing our drawings.

STANDARD MACHINE ELEMENTS WORLDWIDE